

### CZ 2740

#### High End Brushless Motor

- ➔ Motore 8 Poli
- ➔ Gehäuse Länge: 59 mm
- ➔ Durchmesser: 45 mm
- ➔ Welle Durchmesser: 5 mm
- ➔ Gewicht: 405 g
- ➔ Max. Leistung: 3000 W



#### Prezzo

**Pubblico IVA Incl.**

**219,00 €**

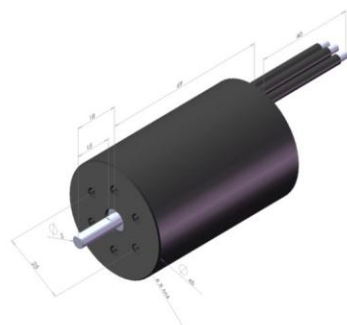
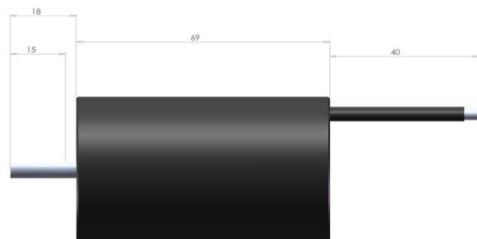
#### Data

Specifications	Art. Nr.	RPM/V [Kv]	Idle Current [IO] (A)	Resistance [Ri]	Max Voltage (v)	Max Amps (A)	Max Power (W)	Dia*Length(mm) Shaft d:mm	EAN
TS-CZ2740*4	TS-08CZ2740/4T	2900	8,0	1,8	15	220	3000	D:45 L:59 D:5mm	4250747903300
TS-CZ2740*5	TS-08CZ2740/5T	2320	6,0	3,0	19	185	3000	D:45 L:59 D:5mm	4250747903317
TS-CZ2740*6	TS-08CZ2740/6T	1930	5,0	4,1	23	160	3000	D:45 L:59 D:5mm	4250747903324
TS-CZ2740*7	TS-08CZ2740/7T	1650	4,0	5,4	27	130	3000	D:45 L:59 D:5mm	4250747903331
TS-CZ2740*8	TS-08CZ2740/8T	1450	3,2	6,8	31	115	3000	D:45 L:59 D:5mm	4250747903348
TS-CZ2740*9	TS-08CZ2740/9T	1290	2,8	8,8	34	105	3000	D:45 L:59 D:5mm	4250747903355
TS-CZ2740*10	TS-08CZ2740/10T	1160	2,5	10,5	38	95	3000	D:45 L:59 D:5mm	4250747903362
TS-CZ2740*12	TS-08CZ2740/12T	970	2,0	14,0	46	75	3000	D:45 L:59 D:5mm	4250747903379

## CZ 2750

### High End Brushless Motor

- ➔ Motore 8 Poli
- ➔ Gehäuse Länge: 69,5 mm
- ➔ Durchmesser: 45 mm
- ➔ Welle Durchmesser: 5 mm
- ➔ Gewicht: 503 g
- ➔ Max. Leistung: 4500 W



### Prezzo

**Pubblico IVA Incl.**

**259,00 €**

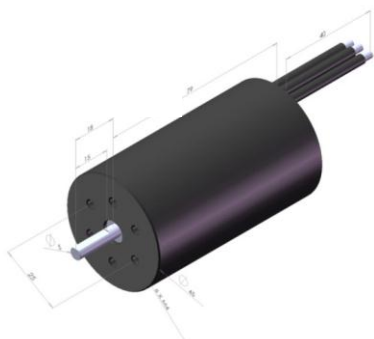
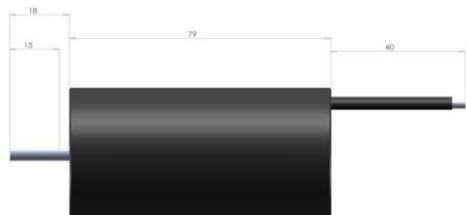
### Data

Specifications	Art. Nr.	RPM/V [Kv]	Idle Current [IO] (A)	Resistance [Ri]	Max Voltage (v)	Max Amps (A)	Max Power (W)	Dia*Length(mm) Shaft d:mm	EAN
TS-CZ2750*4	TS-08CZ2750/4T	2270	6,5	2,5	20	220	4500	D:45 L:69.5 D:5mm	4250747903584
TS-CZ2750*5	TS-08CZ2750/5T	1820	5,0	3,1	24	185	4500	D:45 L:69.5 D:5mm	4250747902822
TS-CZ2750*6	TS-08CZ2750/6T	1520	4,0	4,8	30	160	4500	D:45 L:69.5 D:5mm	4250747903591
TS-CZ2750*7	TS-08CZ2750/7T	1300	3,0	6,0	34	130	4500	D:45 L:69.5 D:5mm	4250747903607
TS-CZ2750*8	TS-08CZ2750/8T	1140	2,5	7,9	40	115	4500	D:45 L:69.5 D:5mm	4250747903614
TS-CZ2750*9	TS-08CZ2750/9T	1020	2,2	10,0	45	105	4500	D:45 L:69.5 D:5mm	4250747903621
TS-CZ2750*10	TS-08CZ2750/10T	920	2,0	11,8	50	95	4500	D:45 L:69.5 D:5mm	4250747903638
TS-CZ2750*12	TS-08CZ2750/12T	770	1,9	16,5	60	75	4500	D:45 L:69.5 D:5mm	4250747902839

## CZ 2760

### High End Brushless Motor

- ➔ Motore 8 Poli
- ➔ Gehäuse Länge: 79,5 mm
- ➔ Durchmesser: 45 mm
- ➔ Welle Durchmesser: 5 mm
- ➔ Gewicht: 603 g
- ➔ Max. Leistung: 5500 W



### Prezzo

**Pubblico IVA Incl.**

**299,00 €**

### Data

Specifications	Art. Nr.	RPM/V [Kv]	Idle Current [IO] (A)	Resistance [Ri]	Max Voltage (v)	Max Amps (A)	Max Power (W)	Dia*Length(mm) Shaft d:mm	EAN
TS-CZ2760*3	TS-08CZ2760/3T	2560	7,2	1,9	17	250	5500	D:45 L:79.5 D:5mm	4250747903645
TS-CZ2760*4	TS-08CZ2760/4T	1900	6,0	2,8	23	220	5500	D:45 L:79.5 D:5mm	4250747903652
TS-CZ2760*5	TS-08CZ2760/5T	1530	5,0	4,3	28	175	5500	D:45 L:79.5 D:5mm	4250747903669
TS-CZ2760*6	TS-08CZ2760/6T	1280	4,0	5,5	34	150	5500	D:45 L:79.5 D:5mm	4250747903676
TS-CZ2760*7	TS-08CZ2760/7T	1120	3,5	7,0	39	135	5500	D:45 L:79.5 D:5mm	4250747903683
TS-CZ2760*8	TS-08CZ2760/8T	980	3,0	9,0	45	110	5500	D:45 L:79.5 D:5mm	4250747903690
TS-CZ2760*9	TS-08CZ2760/9T	870	2,7	12,0	40	100	5500	D:45 L:79.5 D:5mm	4250747903706
TS-CZ2760*10	TS-08CZ2760/10T	780	2,5	15,0	55	90	5500	D:45 L:79.5 D:5mm	4250747903713