

CZII 1515

High End Brushless Motor

- ➔ Motore 4 Poli
- ➔ Lunghezza Cassa: 30 mm
- ➔ Diametro: 29 mm
- ➔ Diametro Asse: 4 mm
- ➔ Peso: 90 g
- ➔ Potenza Max: 650 W



Prezzo

Pubblico IVA Incl.

59,00 €

Data

Specifiche	Art. Nr.	Giri/V [Kv]	Ass.to a vuoto [IO] 10V (A)	Resistenza [Ri]	Voltaggio Max (v)	Max Amps (A)	Potenza Max (W)	Diam*Lung.za(mm)) Asse d:mm	EAN
TS-CZII1515 *8	TS-0201515C2/8T	7550	5,1	5,3	12	70	650	29*30 d:4	4250747902419
TS-CZII1515 *9	TS-0201515C2/9T	6700	4,1	6,4	13	70	650	29*30 d:4	4250747901016
TS-CZII1515 *10	TS-0201515C2/10T	6000	3,4	8,0	15	65	650	29*30 d:4	4250747901023
TS-CZII1515 *11	TS-0201515C2/11T	5500	3,1	9,4	16	59	650	29*30 d:4	4250747903546
TS-CZII1515 *12	TS-0201515C2/12T	5000	2,8	11,2	18	52	650	29*30 d:4	4250747901030
TS-CZII1515 *13	TS-0201515C2/13T	4600	2,6	13,1	20	47	650	29*30 d:4	4250747902365
TS-CZII1515 *14	TS-0201515C2/14T	4300	2,3	15,8	22	45	650	29*30 d:4	4250747901047
TS-CZII1515 *15	TS-0201515C2/15T	4000	2,1	17,6	23	42	650	29*30 d:4	4250747902358
TS-CZII1515 *16	TS-0201515C2/16T	3770	1,9	20,0	24	40	650	29*30 d:4	4250747901054
TS-CZII1515 *17	TS-0201515C2/17T	3500	1,7	22,4	25	37	650	29*30 d:4	4250747903928
TS-CZII1515 *18	TS-0201515C2/18T	3350	1,6	25,8	27	35	650	29*30 d:4	4250747901061

CZII 1520

High End Brushless Motor

- ➔ Motore 4 Poli
- ➔ Lunghezza Cassa: 38 mm
- ➔ Diametro: 29 mm
- ➔ Diametro Asse: 4 mm
- ➔ Peso: 105 g
- ➔ Potenza Max: 900 W



Prezzo

Pubblico IVA Incl.

69,00 €

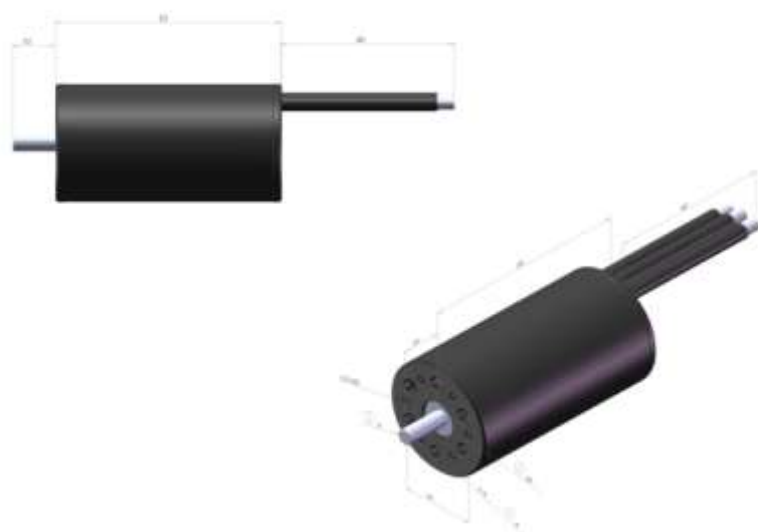
Data

Specifiche	Art. Nr.	Giri/V [Kv]	Ass.to a vuoto [IO] 10V (A)	Resistenza [Ri]	Voltaggio Max (v)	Max Amps (A)	Potenza Max (W)	Diam*Lung.za(mm)) Asse d:mm	EAN
TS-CZII1520 *4	TS-0202015C2/4T	11100	11	2,6	8	160	900	29*38 d:4	4250747903553
TS-CZII1520 *5	TS-0202015C2/5T	8900	8	3,1	10	130	900	29*38 d:4	4250747903560
TS-CZII1520 *6	TS-0202015C2/6T	7400	6,0	3,9	12	105	900	29*38 d:4	4250747901078
TS-CZII1520 *7	TS-0202015C2/7T	6350	4,5	5,4	14	90	900	29*38 d:4	4250747901085
TS-CZII1520 *8	TS-0202015C2/8T	5580	3,8	7,0	15	80	900	29*38 d:4	4250747901092
TS-CZII1520 *9	TS-0202015C2/9T	4960	3,3	8,7	17	70	900	29*38 d:4	4250747901108
TS-CZII1520 *10	TS-0202015C2/10T	4470	3,0	10,8	18	65	900	29*38 d:4	4250747901115
TS-CZII1520 *11	TS-0202015C2/11T	4050	2,7	12,7	20	60	900	29*38 d:4	4250747902372
TS-CZII1520 *12	TS-0202015C2/12T	3750	2,5	14,5	23	55	900	29*38 d:4	4250747901122
TS-CZII1520 *13	TS-0201520C2/13T	3450	2,3	17,1	25	50	900	29*38 d:4	4250747903935
TS-CZII1520 *14	TS-0202015C2/14T	3190	2,1	19,9	27	45	900	29*38 d:4	4250747901139
TS-CZII1520 *16	TS-0202015C2/16T	2800	1,8	26,0	32	40	900	29*38 d:4	4250747901146
TS-CZII1520 *18	TS-0202015C2/18T	2450	1,5	33,0	35	35	900	29*38 d:4	4250747901153

CZII 1530

High End Brushless Motor

- ➔ Motore 4 Poli
- ➔ Lunghezza Cassa: 48 mm
- ➔ Diametro: 29 mm
- ➔ Diametro Asse: 4 mm
- ➔ Peso: 140 g
- ➔ Potenza Max: 1350 W



Prezzo

Pubblico IVA Incl.

79,00 €

Data

Specifiche	Art. Nr.	Giri/V [Kv]	Ass.to a vuoto [IO] 10V (A)	Resistenza [Ri]	Voltaggio Max (v)	Max Amps (A)	Potenza Max (W)	Diam*Lung.za(mm)) Asse d:mm	EAN
TS-CZII1530 *5	TS-0203015C2/5T	6030	5,6	2,8	15	130	1350	29*48 d:4	4250747901160
TS-CZII1530 *6	TS-0203015C2/6T	4980	4,8	4,0	18	105	1350	29*48 d:4	4250747901177
TS-CZII1530 *7	TS-0203015C2/7T	4260	3,7	5,6	22	90	1350	29*48 d:4	4250747901184
TS-CZII1530 *8	TS-0203015C2/8T	3770	3,0	7,2	24	80	1350	29*48 d:4	4250747901191
TS-CZII1530 *9	TS-0203015C2/9T	3350	2,8	9,1	27	70	1350	29*48 d:4	4250747901207
TS-CZII1530 *10	TS-0203015C2/10T	3020	2,5	11,4	30	65	1350	29*48 d:4	4250747901214
TS-CZII1530 *11	TS-0203015C2/11T	2750	2,2	14,0	33	60	1350	29*48 d:4	4250747904055
TS-CZII1530 *12	TS-0203015C2/12T	2520	2,0	16,4	36	55	1350	29*48 d:4	4250747901221
TS-CZII1530 *14	TS-0203015C2/14T	2160	1,7	21,5	43	45	1350	29*48 d:4	4250747901238

CZII 1540

High End Brushless Motor

- ➔ Motore 4 Poli
- ➔ Lunghezza Cassa: 58,2 mm
- ➔ Diametro: 29 mm
- ➔ Diametro Asse: 4 mm
- ➔ Peso: 180 g
- ➔ Potenza Max: 2000 W



Prezzo

Pubblico IVA Incl.

99,00 €

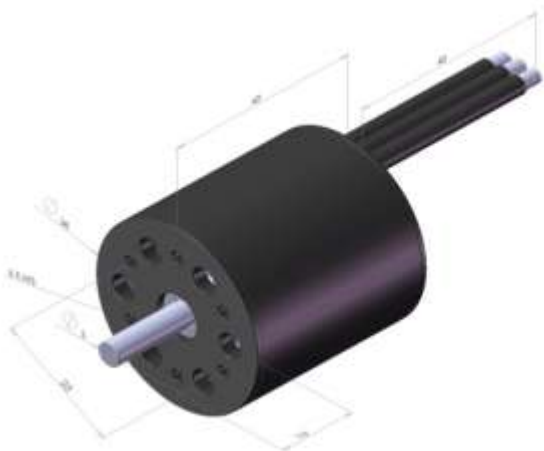
Data

Specifiche	Art. Nr.	Giri/V [Kv]	Ass.to a vuoto [IO] 10V (A)	Resistenza [Ri]	Voltaggio Max (v)	Max Amps (A)	Potenza Max (W)	Diam*Lung.za(mm)) Asse d:mm	EAN
TS-CZII1540 *4	TS-0204015C2/4T	5600	6,8	2,7	15	160	2000	29*58.2 d:4	4250747901245
TS-CZII1540 *5	TS-0204015C2/5T	4500	4,7	4,2	20	130	2000	29*58.2 d:4	4250747901252
TS-CZII1540 *6	TS-0204015C2/6T	3760	4,1	6,2	24	105	2000	29*58.2 d:4	4250747901269
TS-CZII1540 *7	TS-0204015C2/7T	3230	3,3	8,6	28	90	2000	29*58.2 d:4	4250747901276
TS-CZII1540 *8	TS-0204015C2/8T	2830	2,9	11,2	32	80	2000	29*58.2 d:4	4250747901283
TS-CZII1540 *9	TS-0204015C2/9T	2540	2,7	13,8	36	70	2000	29*58.2 d:4	4250747901290
TS-CZII1540 *10	TS-0204015C2/10T	2290	2,5	17,1	40	65	2000	29*58.2 d:4	4250747901306
TS-CZII1540 *12	TS-0204015C2/12T	1910	2,0	23,0	46	55	2000	29*58.2 d:4	4250747901313
TS-CZII1540 *14	TS-0204015C2/14T	1650	1,7	29,8	50	50	2000	29*58.2 d:4	4250747903959

CZII 2220

High End Brushless Motor

- ➔ Motore 6 Poli
- ➔ Lunghezza Cassa: 40 mm
- ➔ Diametro: 38 mm
- ➔ Diametro Asse: 5 mm
- ➔ Peso: 167 g
- ➔ Potenza Max: 1500 W



Prezzo

Pubblico IVA Incl.

99,00 €

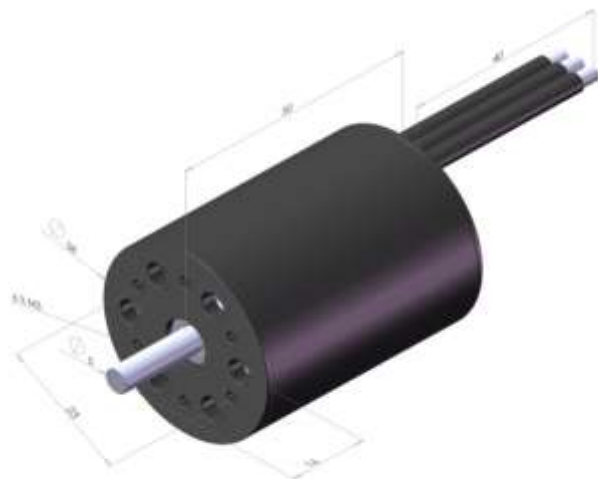
Data

Specifiche	Art. Nr.	Giri/V [Kv]	Ass.to a vuoto [IO] 10V (A)	Resistenza [Ri]	Voltaggio Max (v)	Max Amps (A)	Potenza Max (W)	Diam*Lung.za(mm)) Asse d:mm	EAN
TS-CZII2220 *5	TS-0202022C2/5T	6300	7,0	2,0	9	180	1500	38*40 d:5	4250747901320
TS-CZII2220 *6	TS-0202022C2/6T	5400	6,0	2,9	12	150	1500	38*40 d:5	4250747901337
TS-CZII2220 *7	TS-0202022C2/7T	4650	4,8	4,0	14	130	1500	38*40 d:5	4250747901344
TS-CZII2220 *8	TS-0202022C2/8T	4080	3,7	5,2	16	115	1500	38*40 d:5	4250747901351
TS-CZII2220 *9	TS-0202022C2/9T	3620	3,2	6,5	18	100	1500	38*40 d:5	4250747901368
TS-CZII2220 *10	TS-0202022C2/10T	3250	2,8	8,1	20	90	1500	38*40 d:5	4250747901375
TS-CZII2220 *11	TS-0202022C2/11T	2950	2,5	10,1	22	83	1500	38*40 d:5	4250747902389
TS-CZII2220 *12	TS-0202022C2/12T	2710	2,2	11,7	24	75	1500	38*40 d:5	4250747901382
TS-CZII2220 *15	TS-0202022C2/15T	2170	1,5	18,2	30	60	1500	38*40 d:5	4250747901399

CZII 2230

High End Brushless Motor

- ➔ Motore 6 Poli
- ➔ Lunghezza Cassa: 50 mm
- ➔ Diametro: 38 mm
- ➔ Diametro Asse: 5 mm
- ➔ Peso: 240 g
- ➔ Potenza Max: 2100 W



Prezzo

Pubblico IVA Incl.

109,00 €

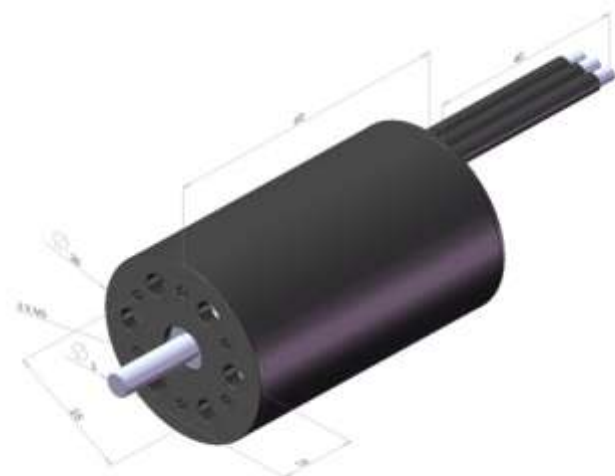
Data

Specifiche	Art. Nr.	Giri/V [Kv]	Ass.to a vuoto [IO] 10V (A)	Resistenza [Ri]	Voltaggio Max (v)	Max Amps (A)	Potenza Max (W)	Diam*Lung.za(mm)) Asse d:mm	EAN
TS-CZII2230*5	TS-0203022C2/5T	4260	6,5	2,4	14	180	2100	38*50 d:5	4250747901405
TS-CZII2230*6	TS-0203022C2/6T	3550	5,1	3,5	17	150	2100	38*50 d:5	4250747901412
TS-CZII2230*7	TS-0203022C2/7T	3030	4,4	4,8	20	130	2100	38*50 d:5	4250747901429
TS-CZII2230*8	TS-0203022C2/8T	2640	3,8	6,2	23	115	2100	38*50 d:5	4250747901436
TS-CZII2230*9	TS-0203022C2/9T	2380	3,1	7,9	26	100	2100	38*50 d:5	4250747901443
TS-CZII2230*12	TS-0203022C2/12T	1780	2,0	14,2	34	75	2100	38*50 d:5	4250747901450
TS-CZII2230*15	TS-0203022C2/15T	1430	1,5	21,8	38	60	2100	38*50 d:5	4250747901467

CZII 2240

High End Brushless Motor

- ➔ Motore 6 Poli
- ➔ Lunghezza Cassa: 60 mm
- ➔ Diametro: 38 mm
- ➔ Diametro Asse: 5 mm
- ➔ Peso: 290 g
- ➔ Potenza Max: 3000 W



Prezzo

Pubblico IVA Incl.

139,00 €

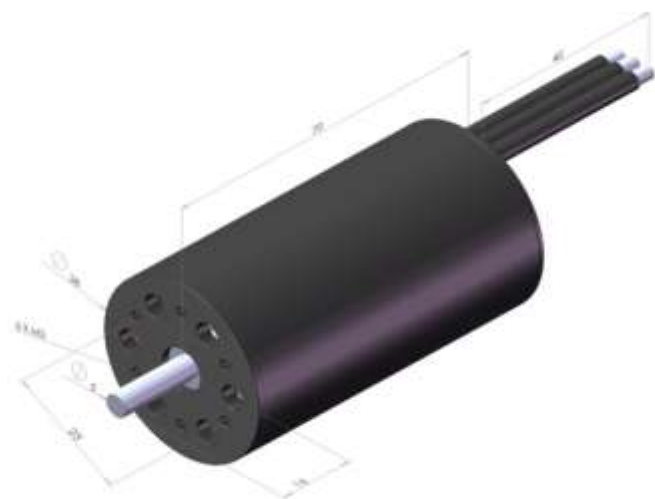
Data

Specifiche	Art. Nr.	Giri/V [Kv]	Ass.to a vuoto [IO] 10V (A)	Resistenza [Ri]	Voltaggio Max (v)	Max Amps (A)	Potenza Max (W)	Diam*Lung.za(mm)) Asse d:mm	EAN
TS-CZII2240 *5	TS-0204022C2/5T	3200	5,1	4,1	18	180	3000	38*60 d:5	4250747902396
TS-CZII2240 *6	TS-0204022C2/6T	2680	4,4	5,0	21	150	3000	38*60 d:5	4250747901474
TS-CZII2240 *7	TS-0204022C2/7T	2300	3,9	6,5	25	130	3000	38*60 d:5	4250747901481
TS-CZII2240 *8	TS-0204022C2/8T	2020	3,4	8,4	29	115	3000	38*60 d:5	4250747901498
TS-CZII2240 *9	TS-0204022C2/9T	1790	3,0	10,5	30	100	3000	38*60 d:5	4250747901504
TS-CZII2240 *10	TS-0204022C2/10T	1610	2,7	13,0	35	90	3000	38*60 d:5	4250747901535
TS-CZII2240 *12	TS-0204022C2/12T	1340	2,1	18,5	41	75	3000	38*60 d:5	4250747901511
TS-CZII2240 *15	TS-0204022C2/15T	1070	1,5	28,9	50	60	3000	38*60 d:5	4250747901528

CZII 2250

High End Brushless Motor

- ➔ Motore 6 Poli
- ➔ Lunghezza Cassa: 69,5 mm
- ➔ Diametro: 38 mm
- ➔ Diametro Asse: 5 mm
- ➔ Peso: 370 g
- ➔ Potenza Max: 3500 W



Prezzo

Pubblico IVA Incl.

159,00 €

Data

Specifiche	Art. Nr.	Giri/V [Kv]	Ass.to a vuoto [IO] 10V (A)	Resistenza [Ri]	Voltaggio Max (v)	Max Amps (A)	Potenza Max (W)	Diam*Lung.za(mm)) Asse d:mm	EAN
TS-CZII2250*4	TS-0205022C2/4T	3200	6,9	4,2	19	200	3600	38*69.5 d:5	4250747904062
TS-CZII2250*5	TS-0205022C2/5T	2560	5,6	5,5	25	150	3600	38*69.5 d:5	4250747901542
TS-CZII2250*6	TS-0205022C2/6T	2130	4,5	7,1	31	130	3600	38*69.5 d:5	4250747901559
TS-CZII2250*7	TS-0205022C2/7T	1840	3,8	9,2	36	115	3600	38*69.5 d:5	4250747901566
TS-CZII2250*8	TS-0205022C2/8T	1600	3,5	11,5	40	100	3600	38*69.5 d:5	4250747901573
TS-CZII2250*10	TS-0205022C2/10T	1300	2,6	14,3	43	90	3600	38*69.5 d:5	4250747901580
TS-CZII2250*12	TS-0205022C2/12T	1070	2,2	20,3	50	75	3600	38*69.5 d:5	4250747901597
TS-CZII2250*15	TS-0205022C2/15T	860	1,8	32,0	62	60	3600	38*69.5 d:5	4250747901603