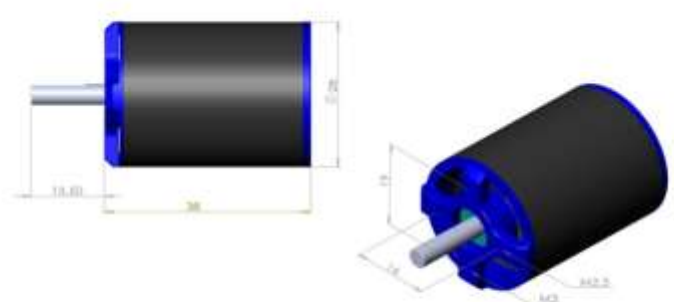

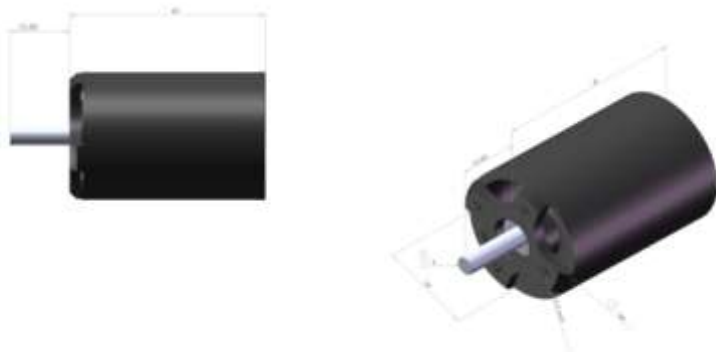


EZ 1515										
High End Brushless Motor										
<p> <span style="color: red;">➔</span> Motore 4 Poli                      <span style="color: red;">➔</span> Diametro Asse: 4 mm  <span style="color: red;">➔</span> Lunghezza Cassa: 38 mm       <span style="color: red;">➔</span> Peso: 83 g  <span style="color: red;">➔</span> Diametro: 28 mm                   <span style="color: red;">➔</span> Potenza Max: 500 W                 </p> 										
					<b>Prezzo</b>					
					<b>Pubblico IVA Incl.</b>					
					55,00 €					
Data										
Specifiche		Art. Nr.	Giri/V [Kv]	Ass.to a vuoto [IO] 10V (A)	Resistenza [Ri]	Max Voltage	Max Amps	Potenza Max (W)	Diam*lung.za(mm) Asse d:mm	EAN
TS-EZ1515	9T	TS-0201515E/9T	6200	3,40	7,1	14	70	480	28*38 d:4	4250747901610
TS-EZ1515	10T	TS-0201515E/10T	5500	3,00	8,2	16	63	480	28*38 d:4	4250747901627
TS-EZ1515	12T	TS-0201515E/12T	4600	2,50	11,5	18	51	480	28*38 d:4	4250747901634
TS-EZ1515	13T	TS-0201515E/13T	4200	2,30	13	20	48	480	28*38 d:4	4250747902297
TS-EZ1515	14T	TS-0201515E/14T	4000	2,00	14,8	22	45	480	28*38 d:4	4250747901641
TS-EZ1515	15T	TS-0201515E/15T	3770	1,80	16,7	24	42	480	28*38 d:4	4250747901658
TS-EZ1515	16T	TS-0201515E/16T	3500	1,70	19	26	40	480	28*38 d:4	4250747901665
TS-EZ1515	19T	TS-0201515E/19T	2950	1,40	25	30	35	480	28*38 d:4	4250747903829

## EZ 1520

### High End Brushless Motor

- ➔ Motore 4 Poli
- ➔ Lunghezza Cassa: 38 mm
- ➔ Diametro: 28 mm
- ➔ Diametro Asse: 4 mm
- ➔ Peso: 103 g
- ➔ Potenza Max: 650 W



### Prezzo

**Pubblico IVA Incl.**

**60,00 €**

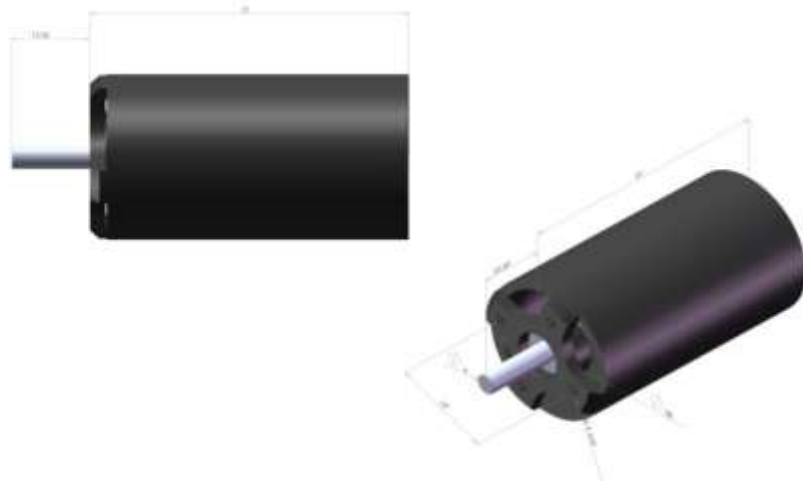
### Data

Specifiche		Art. Nr.	Giri/V [Kv]	Ass.to a vuoto [IO] 10V (A)	Resistenza [Ri]	Max Voltage	Max Amps	Potenza Max (W)	Diam*lung.za(mm) Asse d:mm	EAN
TS-EZ1520	7T	TS-0202015E/7T	6080	8,60	6,50	14,00	100	650	28*38 d:4	4250747901672
TS-EZ1520	8T	TS-0202015E/8T	5350	6,00	8,00	16,00	85	650	28*38 d:4	4250747901689
TS-EZ1520	9T	TS-0202015E/9T	4750	4,50	9,7	18,00	70	650	28*38 d:4	4250747901696
TS-EZ1520	10T	TS-0202015E/10T	4270	3,50	12,00	20,00	65	650	28*38 d:4	4250747901702
TS-EZ1520	11T	TS-0202015E/11T	3880	3,00	14,00	22,00	60	650	28*38 d:4	4250747901719
TS-EZ1520	12T	TS-0202015E/12T	3560	2,60	17,00	24,00	55	650	28*38 d:4	4250747901726
TS-EZ1520	13T	TS-0202015E/13T	3330	2,30	19,20	26,00	50	650	28*38 d:4	4250747901733
TS-EZ1520	14T	TS-0202015E/14T	3090	1,90	23,00	28,00	45	650	28*38 d:4	4250747901740
TS-EZ1520	15T	TS-0202015E/15T	2850	1,75	25,00	29,50	43	650	28*38 d:4	4250747903515
TS-EZ1520	16T	TS-0202015E/16T	2700	1,60	28,00	31,00	40	650	28*38 d:4	4250747901757
TS-EZ1520	17T	TS-0202015E/17T	2550	1,30	32,00	34,00	37	650	28*38 d:4	4250747901764
TS-EZ1520	18T	TS-0202015E/18T	2410	1,10	35,00	37,00	35	650	28*38 d:4	4250747901771
TS-EZ1520	19T	TS-0202015E/19T	2280	1,00	40,00	39,00	32	650	28*38 d:4	4250747903836
TS-EZ1520	20T	TS-0202015E/20T	2170	0,90	44,30	41,00	30	650	28*38 d:4	4250747901788

## EZ 1530

### High End Brushless Motor

- ➔ Motore 4 Poli
- ➔ Lunghezza Cassa: 48 mm
- ➔ Diametro: 28 mm
- ➔ Diametro Asse: 4 mm
- ➔ Peso: 145 g
- ➔ Potenza Max: 1000 W



### Prezzo

Pubblico IVA Incl.

**79,00 €**

### Data

Specifiche		Art. Nr.	Giri/V [Kv]	Ass.to a vuoto [IO] 10V (A)	Resistenza [Ri]	Max Voltage	Max Amps	Potenza Max (W)	Diam*lung.za(mm) Asse d:mm	EAN
TS-EZ1530	5T	TS-0203015E/5T	5500	6,00	3,5	13	120	1000	28*48 d:4	4250747901795
TS-EZ1530	6T	TS-0203015E/6T	4600	4,50	5	15	110	1000	28*48 d:4	4250747901801
TS-EZ1530	7T	TS-0203015E/7T	3950	3,80	7,2	18	100	1000	28*48 d:4	4250747901818
TS-EZ1530	8T	TS-0203015E/8T	3450	3,20	8,8	21	85	1000	28*48 d:4	4250747901825
TS-EZ1530	9T	TS-0203015E/9T	3100	2,80	11,3	23	70	1000	28*48 d:4	4250747901832
TS-EZ1530	10T	TS-0203015E/10T	2750	2,50	14	23	65	1000	28*48 d:4	4250747901849
TS-EZ1530	11T	TS-0203015E/11T	2620	2,20	16,5	28	60	1000	28*48 d:4	4250747901856
TS-EZ1530	12T	TS-0203015E/12T	2300	1,80	19,8	31	55	1000	28*48 d:4	4250747901863
TS-EZ1530	13T	TS-0203015E/13T	2180	1,50	23,5	34	50	1000	28*48 d:4	4250747901870
TS-EZ1530	14T	TS-0203015E/14T	2000	1,30	25,5	36	45	1000	28*48 d:4	4250747901887
TS-EZ1530	15T	TS-0203015E/15T	1850	1,10	29	39	45	1000	28*48 d:4	4250747901894

## EZ 1540

### High End Brushless Motor

- ➔ Motore 4 Poli
- ➔ Lunghezza Cassa: 58 mm
- ➔ Diametro: 28 mm
- ➔ Diametro Asse: 4 mm
- ➔ Peso: 177 g
- ➔ Potenza Max: 1200 W



### Prezzo

**Pubblico IVA Incl.**

**99,00 €**

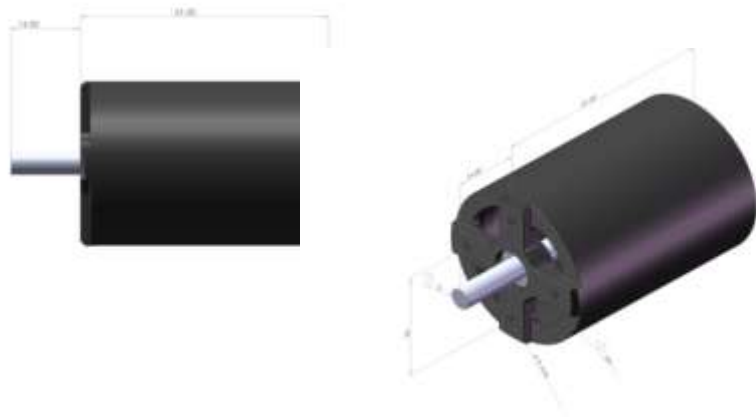
### Data

Specifiche		Art. Nr.	Giri/V [Kv]	Ass.to a vuoto [IO] 10V (A)	Resistenza [Ri]	Max Voltage	Max Amps	Potenza Max (W)	Diam*lung.za(mm) Asse d:mm	EAN
TS-EZ1540	4T	TS-0204015E/4T	5300	5,5	3,8	16	160	1200	28*58.2 d:4	4250747901900
TS-EZ1540	5T	TS-0204015E/5T	4200	4,00	6,00	20	120	1200	28*58.2 d:4	4250747901917
TS-EZ1540	6T	TS-0204015E/6T	3400	3,20	8,00	25	110	1200	28*58.2 d:4	4250747901924
TS-EZ1540	7T	TS-0204015E/7T	2950	2,80	10,50	28	100	1200	28*58.2 d:4	4250747901931
TS-EZ1540	8T	TS-0204015E/8T	2570	2,20	13,40	32	85	1200	28*58.2 d:4	4250747901948
TS-EZ1540	9T	TS-0204015E/9T	2290	1,90	16,50	36	70	1200	28*58.2 d:4	4250747901955
TS-EZ1540	10T	TS-0204015E/10T	2060	1,70	20,50	40	65	1200	28*58.2 d:4	4250747901962
TS-EZ1540	11T	TS-0204015E/11T	1870	1,60	24,00	43	60	1200	28*58.2 d:4	4250747904000
TS-EZ1540	12T	TS-0204015E/12T	1720	1,50	28,00	48	55	1200	28*58.2 d:4	4250747901979
TS-EZ1540	14T	TS-0204015E/14T	1480	1,30	39,50	56	50	1200	28*58.2 d:4	4250747901986

## EZ 2220

### High End Brushless Motor

- ➔ Motore 6 Poli
- ➔ Lunghezza Cassa: 41,5 mm
- ➔ Diametro: 36 mm
- ➔ Diametro Asse: 5 mm
- ➔ Peso: 165 g
- ➔ Potenza Max: 1000 W



### Prezzo

**Pubblico IVA Incl.**

**89,00 €**

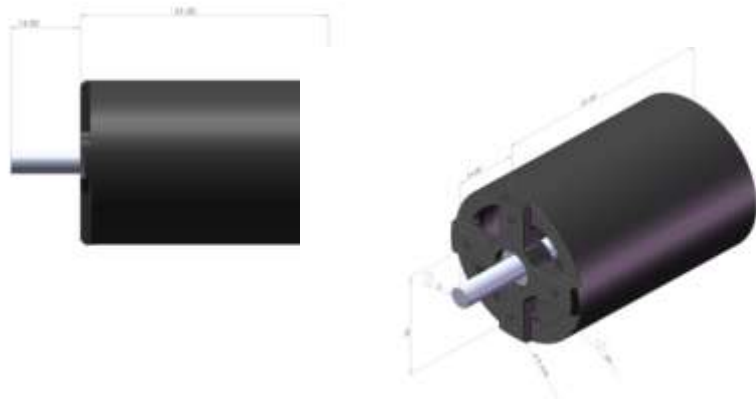
### Data

Specifiche		Art. Nr.	Giri/V [Kv]	Ass.to a vuoto [IO] 10V (A)	Resistenza [Ri]	Max Voltage	Max Amps	Potenza Max (W)	Diam*lung.za(mm) Asse d:mm	EAN
TS-EZ2220	5T	TS-0202022E/5T	6000	6,50	3,00	9	140	1000	38*40 d:5	4250747901993
TS-EZ2220	6T	TS-0202022E/6T	5000	5,00	4,00	12	120	1000	38*40 d:5	4250747902006
TS-EZ2220	7T	TS-0202022E/7T	4500	4,50	5,40	13	100	1000	38*40 d:5	4250747902013
TS-EZ2220	8T	TS-0202022E/8T	3880	3,90	6,80	15	88	1000	38*40 d:5	4250747902020
TS-EZ2220	9T	TS-0202022E/9T	3440	3,50	8,10	17	80	1000	38*40 d:5	4250747902037
TS-EZ2220	10T	TS-0202022E/10T	3050	3,10	9,80	19	72	1000	38*40 d:5	4250747902044
TS-EZ2220	11T	TS-0202022E/11T	2780	2,80	12,00	21	64	1000	38*40 d:5	4250747902051
TS-EZ2220	12T	TS-0202022E/12T	2520	2,10	13,60	23	60	1000	38*40 d:5	4250747902068
TS-EZ2220	13T	TS-0202022E/13T	2300	1,90	16,70	25	52	1000	38*40 d:5	4250747902303
TS-EZ2220	15T	TS-0202022E/15T	2040	1,70	20,70	28	46	1000	38*40 d:5	4250747902075

## EZ 2230

### High End Brushless Motor

- ➔ Motore 6 Poli
- ➔ Lunghezza Cassa: 51,5 mm
- ➔ Diametro: 36 mm
- ➔ Diametro Asse: 5 mm
- ➔ Peso: 240 g
- ➔ Potenza Max: 1750 W





### Prezzo

**Pubblico IVA Incl.**

**99,00 €**

### Data

Specifiche		Art. Nr.	Giri/V [Kv]	Ass.to a vuoto [IO] 10V (A)	Resistenza [Ri]	Max Voltage	Max Amps	Potenza Max (W)	Diam*lung.za(mm) Asse d:mm	EAN
TS-EZ2230	5T	TS-0203022E/5T	4020	5,50	3,9	14	140	1750	36*51.5 d:5	4250747902082
TS-EZ2230	6T	TS-0203022E/6T	3350	4,20	5,2	17	120	1750	36*51.5 d:5	4250747902099
TS-EZ2230	7T	TS-0203022E/7T	2880	3,50	2	20	100	1750	36*51.5 d:5	4250747902105
TS-EZ2230	8T	TS-0203022E/8T	2520	3,00	9,1	22	88	1750	36*51.5 d:5	4250747902112
TS-EZ2230	9T	TS-0203022E/9T	2240	2,50	11,9	25	80	1750	36*51.5 d:5	4250747902129
TS-EZ2230	10T	TS-0203022E/10T	2020	2,10	14,3	28	72	1750	36*51.5 d:5	4250747902136
TS-EZ2230	11T	TS-0203022E/11T	1840	1,70	17,3	30	64	1750	36*51.5 d:5	4250747902143
TS-EZ2230	12T	TS-0203022E/12T	1690	1,30	19,9	33	60	1750	36*51.5 d:5	4250747902150
TS-EZ2230	13T	TS-0203022E/13T	1550	1,25	24,1	35	52	1750	36*51.5 d:5	4250747902327
TS-EZ2230	14T	TS-0203022E/14T	1450	1,20	27,6	38	48	1750	36*51.5 d:5	4250747903522
TS-EZ2230	15T	TS-0203022E/15T	1350	1,10	31,5	42	46	1750	36*51.5 d:5	4250747903539
TS-EZ2230	18T	TS-0203022E/18T	1150	1,00	47,5	50	38	1750	36*51.5 d:5	4250747903973

EZ 2240										
High End Brushless Motor										
<p> <span style="color: red;">➔</span> Motore 6 Poli                      <span style="color: red;">➔</span> Diametro Asse: 5 mm  <span style="color: red;">➔</span> Lunghezza Cassa: 61,5 mm      <span style="color: red;">➔</span> Peso: 290 g  <span style="color: red;">➔</span> Diametro: 36 mm                      <span style="color: red;">➔</span> Potenza Max: 2200 W                 </p>										
					<b>Prezzo</b>					
					<b>Pubblico IVA Incl.</b>					
					109,00 €					
Data										
Specifiche		Art. Nr.	Giri/V [Kv]	Ass.to a vuoto [IO] 10V (A)	Resistenza [Ri]	Max Voltage	Max Amps	Potenza Max (W)	Diam*lung.za(mm) Asse d:mm	EAN
TS-EZ2240	3T	TS-0204022E/3T	5100	9,00	1,80	11,00	220	2200	36*61.5 d:5	4250747902167
TS-EZ2241	4T	TS-0204022E/4T	3830	6,50	3,10	14,00	175	2200	36*61.5 d:5	4250747902174
TS-EZ2240	5T	TS-0204022E/5T	3180	5,00	4,20	17,00	140	2200	36*61.5 d:5	4250747902181
TS-EZ2240	6T	TS-0204022E/6T	2580	4,00	5,80	21,00	120	2200	36*61.5 d:5	4250747902198
TS-EZ2240	7T	TS-0204022E/7T	2260	3,30	7,80	24,00	100	2200	36*61.5 d:5	4250747902204
TS-EZ2240	8T	TS-0204022E/8T	1930	2,60	9,90	28,00	88	2200	36*61.5 d:5	4250747902211
TS-EZ2240	9T	TS-0204022E/9T	1770	2,00	12,00	31,00	80	2200	36*61.5 d:5	4250747902228
TS-EZ2240	10T	TS-0204022E/10T	1600	1,70	14,50	34,00	72	2200	36*61.5 d:5	4250747902235
TS-EZ2240	11T	TS-0204022E/11T	1460	1,60	17,90	38,00	64	2200	36*61.5 d:5	4250747902334
TS-EZ2240	12T	TS-0204022E/12T	1340	1,50	20,70	42,00	60	2200	36*61.5 d:5	4250747902341
TS-EZ2240	14T	TS-0204022E/14T	1150	1,45	29,50	49,00	48	2200	36*61.5 d:5	4250747904031
TS-EZ2240	15T	TS-0204022E/15T	1080	1,40	31,80	52,00	46	2200	36*61.5 d:5	4250747902242
TS-EZ2240	18T	TS-0204022E/18T	890	1,20	44,00	62,00	38	2200	36*61.5 d:5	4250747902259