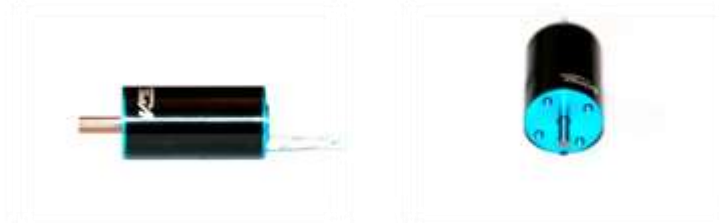
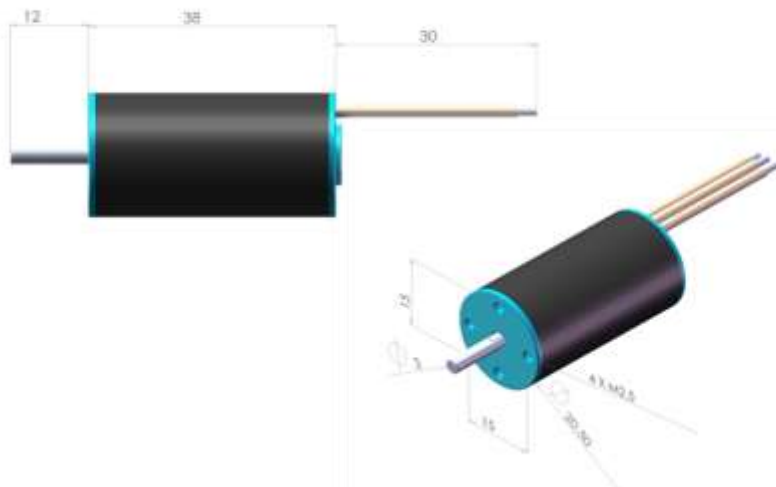


VZ 1020

High End Brushless Motor

- ➔ Motore 4 Poli
- ➔ Lunghezza Cassa: 38 mm
- ➔ Diametro: 20,5 mm
- ➔ Diametro Asse: 3 mm
- ➔ Peso: 50 g
- ➔ Potenza Max: 350 W



Prezzo

Publico IVA Incl.

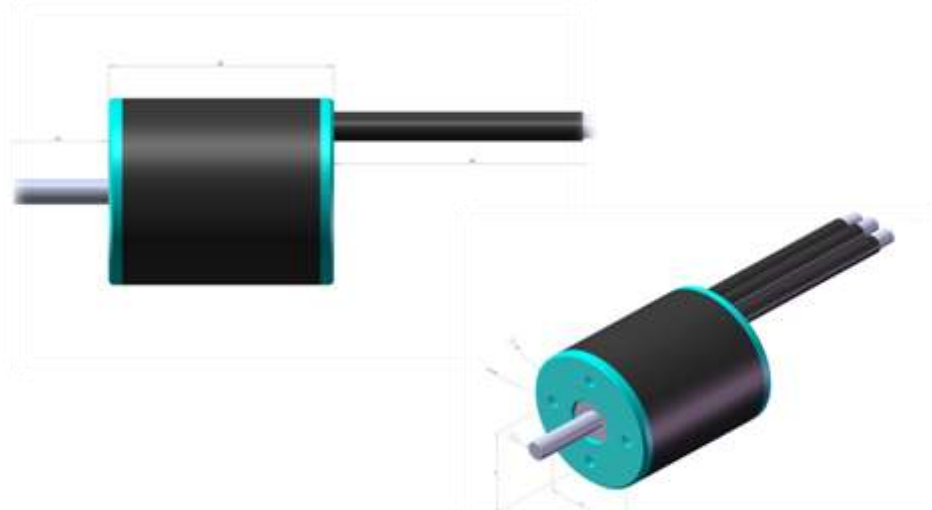

39,00 €

Data

Specifiche		Art. Nr.	Giri/V [Kv]	Ass.to a vuoto [IO] 10V (A)	Resistenza [Ri]	Max Voltage	Max Amps	Potenza Max (W)	Diam*lung.za(mm) Asse d:mm	EAN
TS-VZ1020	10T	TS-0202010V/10T	6100	2,70	21	16	40	350	20.5 *38 d:3	4250747900118
TS-VZ1020	11T	TS-0202010V/11T	5500	2,50	24	17,5	37	350	20.5 *38 d:3	4250747902457
TS-VZ1020	12T	TS-0202010V/12T	5100	2,20	27	19	34	350	20.5 *38 d:3	4250747900125
TS-VZ1020	13T	TS-0202010V/13T	4700	2,00	32	21	32	350	20.5 *38 d:3	4250747902464
TS-VZ1020	14T	TS-0202010V/14T	4400	1,80	37	23	30	350	20.5 *38 d:3	4250747900132
TS-VZ1020	15T	TS-0202010V/15T	4100	1,60	44	24	28	350	20.5 *38 d:3	4250747902440
TS-VZ1020	16T	TS-0202010V/16T	3860	1,40	51	25	26	350	20.5 *38 d:3	4250747900149
TS-VZ1020	17T	TS-0202010V/17T	3600	1,20	71	27	25	350	20.5 *38 d:3	4250747902471
TS-VZ1020	12Y	TS-0202010V/12Y	3050	0,50	90	32	23	350	20.5 *38 d:3	4250747900156
TS-VZ1020	16Y	TS-0202010V/16Y	2300	0,40	115	43	17	350	20.5 *38 d:3	4250747900163
TS-VZ1020	18Y	TS-0202010V/18Y	2030	0,30	126	50	15	350	20.5 *38 d:3	4250747900170
TS-VZ1020	20Y	TS-0202010V/20Y	1830	0,30	134	60	12	350	20.5 *38 d:3	4250747900187

VZ 1030	
High End Brushless Motor	
<ul style="list-style-type: none"> ➔ Motore 4 Poli ➔ Lunghezza Cassa: 48 mm ➔ Diametro: 20,5 mm ➔ Diametro Asse: 3 mm ➔ Peso: 65 g ➔ Potenza Max: 480 W 	
Prezzo	
 Pubblico IVA Incl.	
49,00 €	

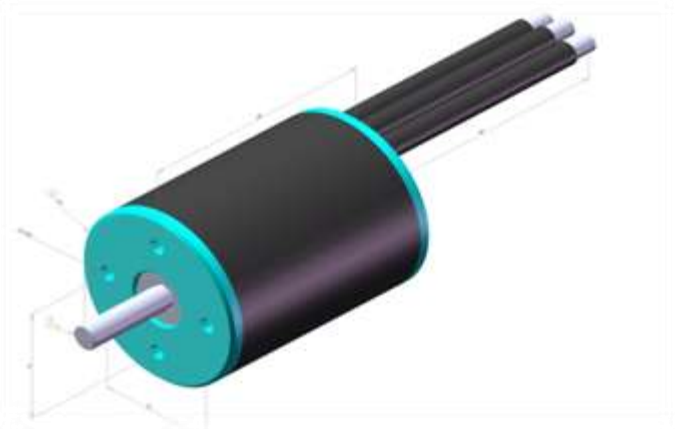
Data									
Specifiche	Art. Nr.	Giri/V [Kv]	Ass.to a vuoto [IO] 10V (A)	Resistenza [Ri]	Max Voltage	Max Amps	Potenza Max (W)	Diam*lung.za(mm) Asse d:mm	EAN
TS-VZ1030	8T	TS-0203010V/8T	5200	2	20	17	480	20.5*48 d:3	4250747900194
TS-VZ1030	9T	TS-0203010V-9T	4600	1,7	25	19	480	20.5*48 d:3	4250747902280
TS-VZ1030	10T	TS-0203010V/10T	4150	1,5	30	21	480	20.5*48 d:3	4250747900200
TS-VZ1030	11T	TS-0203010V/11T	3800	1,3	36	23	480	20.5*48 d:3	4250747900217
TS-VZ1030	12T	TS-0203010V/12T	3500	1,1	40	25	480	20.5*48 d:3	4250747900224
TS-VZ1030	13T	TS-0203010V/13T	3200	1	48	26	480	20.5*48 d:3	4250747902273
TS-VZ1030	14T	TS-0203010V/14T	3000	0,9	56	28	480	20.5*48 d:3	4250747900231
TS-VZ1030	15T	TS-0203010V/15T	2800	0,8	61	31	480	20.5*48 d:3	4250747902266
TS-VZ1030	16T	TS-0203010V/16T	2630	0,7	75	33	480	20.5*48 d:3	4250747900248
TS-VZ1030	14Y	TS-0203010V/14Y	2100	0,5	112	43	480	20.5*48 d:3	4250747900255
TS-VZ1030	16Y	TS-0203010V/16Y	1850	0,4	160	48	480	20.5*48 d:3	4250747900262

VZ 1515										
High End Brushless Motor										
<p> ➔ Motore 4 Poli ➔ Diametro Asse: 4 mm ➔ Lunghezza Cassa: 30 mm ➔ Peso: 85 g ➔ Diametro: 29 mm ➔ Potenza Max: 500 W </p> 										
					Prezzo					
					Publico IVA Incl.					
					55,00 €					
Data										
Specifiche		Art. Nr.	Giri/V [Kv]	Ass.to a vuoto [I ₀] 10V (A)	Resistenza [Ri]	Max Voltage	Max Amps	Potenza Max (W)	Diam*lung.za(mm) Asse d:mm	EAN
TS-VZ1515	5T	TS-0201515V/5T	11160	6,00	3,9	8	125	500	29*30 d:4	4250747902402
TS-VZ1515	6T	TS-0201515V/6T	9300	5,00	4,7	9	110	500	29*30 d:4	4250747902488
TS-VZ1515	7T	TS-0201515V/7T	8000	4,40	5,6	11	90	500	29*30 d:4	4250747902495
TS-VZ1515	8T	TS-0201515V/8T	7000	3,80	6,4	12,5	80	500	29*30 d:4	4250747902501
TS-VZ1515	9T	TS-0201515V/9T	6200	3,40	7,1	14	70	500	29*30 d:4	4250747900279
TS-VZ1515	10T	TS-0201515V/10T	5500	3,00	8,2	16	63	500	29*30 d:4	4250747900286
TS-VZ1515	11T	TS-0201515V/11T	5000	2,70	9,6	17	56	500	29*30 d:4	4250747902518
TS-VZ1515	12T	TS-0201515V/12T	4600	2,50	11,5	18	51	500	29*30 d:4	4250747900293
TS-VZ1515	14T	TS-0201515V/14T	4000	2,00	14,8	22	45	500	29*30 d:4	4250747900309
TS-VZ1515	15T	TS-0201515V/15T	3770	1,80	16,7	24	42	500	29*30 d:4	4250747900316
TS-VZ1515	16T	TS-0201515V/16T	3500	1,70	19	26	40	500	29*30 d:4	4250747900323
TS-VZ1515	22T	TS-0201515V/22T	2500	1,00	26			500	29*30 d:4	4250747903966

VZ 1520

High End Brushless Motor

- ➔ Motore 4 Poli
- ➔ Lunghezza Cassa: 38 mm
- ➔ Diametro: 29 mm
- ➔ Diametro Asse: 4 mm
- ➔ Peso: 105 g
- ➔ Potenza Max: 650 W



Prezzo

Pubblico IVA Incl.

60,00 €

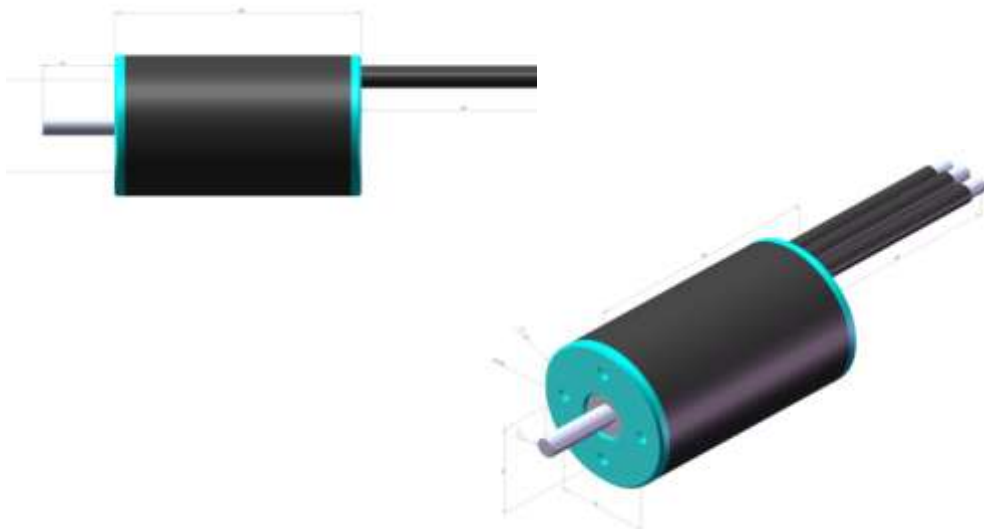
Data

Specifiche		Art. Nr.	Giri/V [Kv]	Ass.to a vuoto [IO] 10V (A)	Resistenza [Ri]	Max Voltage	Max Amps	Potenza Max (W)	Diam*lung.za(mm) Asse d:mm	EAN
TS-VZ1520	5T	TS-0202015V/5T	8500	14,00	3,50	10,00	120,00	650	29*38 d:4	4250747903386
TS-VZ1520	6T	TS-0202015V/6T	7100	11,00	4,70	12,00	110,00	650	29*38 d:4	4250747903010
TS-VZ1520	7T	TS-0202015V/7T	6080	8,60	6,50	14,00	100,00	650	29*38 d:4	4250747900330
TS-VZ1520	8T	TS-0202015V/8T	5350	6,00	8,00	16,00	85,00	650	29*38 d:4	4250747900347
TS-VZ1520	9T	TS-0202015V/9T	4750	4,50	9,7	18,00	70,00	650	29*38 d:4	4250747900354
TS-VZ1520	10T	TS-0202015V/10T	4270	3,50	12,00	20,00	65,00	650	29*38 d:4	4250747900361
TS-VZ1520	11T	TS-0202015V/11T	3880	3,00	14,00	22,00	60,00	650	29*38 d:4	4250747900378
TS-VZ1520	12T	TS-0202015V/12T	3560	2,60	17,00	24,00	55,00	650	29*38 d:4	4250747900385
TS-VZ1520	13T	TS-0202015V/13T	3330	2,30	19,20	26,00	50,00	650	29*38 d:4	4250747900392
TS-VZ1520	14T	TS-0202015V/14T	3090	1,90	23,00	28,00	45,00	650	29*38 d:4	4250747900408
TS-VZ1520	16T	TS-0202015V/16T	2700	1,60	28,00	31,00	40,00	650	29*38 d:4	4250747900415
TS-VZ1520	17T	TS-0202015V/17T	2550	1,30	33,20	34,00	37,00	650	29*38 d:4	4250747900422
TS-VZ1520	18T	TS-0202015V/18T	2410	1,10	35,00	37,00	35,00	650	29*38 d:4	4250747900439
TS-VZ1520	20T	TS-0202015V/20T	2170	0,90	44,30	41,00	30,00	650	29*38 d:4	4250747900446

VZ 1530

High End Brushless Motor

- ➔ Motore 4 Poli
- ➔ Lunghezza Cassa: 48 mm
- ➔ Diametro: 29 mm
- ➔ Diametro Asse: 4 mm
- ➔ Peso: 145 g
- ➔ Potenza Max: 1000 W







Prezzo

Publico IVA Incl.

69,00 €

Data

Specifiche	Art. Nr.	Giri/V [Kv]	Ass.to a vuoto [IO] 10V (A)	Resistenza [Ri]	Max Voltage	Max Amps	Potenza Max (W)	Diam*lung.za(mm) Asse d:mm	EAN	
TS-VZ1530	5T	TS-0203015V/5T	5500	6,00	3,5	13	120	1000	29*48 d:4	4250747900453
TS-VZ1530	6T	TS-0203015V/6T	4600	4,50	5	15	110	1000	29*48 d:4	4250747900460
TS-VZ1530	7T	TS-0203015V/7T	3950	3,80	7,2	18	100	1000	29*48 d:4	4250747900477
TS-VZ1530	8T	TS-0203015V/8T	3480	3,20	8,8	21	85	1000	29*48 d:4	4250747900484
TS-VZ1530	9T	TS-0203015V/9T	3100	2,80	11,3	23	70	1000	29*48 d:4	4250747900491
TS-VZ1530	10T	TS-0203015V/10T	2750	2,50	14	23	65	1000	29*48 d:4	4250747900507
TS-VZ1530	11T	TS-0203015V/11T	2620	2,20	16,5	28	60	1000	29*48 d:4	4250747900514
TS-VZ1530	12T	TS-0203015V/12T	2300	1,80	19,8	31	55	1000	29*48 d:4	4250747900521
TS-VZ1530	13T	TS-0203015V/13T	2180	1,50	23,5	34	50	1000	29*48 d:4	4250747900538
TS-VZ1530	14T	TS-0203015V/14T	2000	1,30	25,5	36	45	1000	29*48 d:4	4250747900545
TS-VZ1530	15T	TS-0203015V/15T	1850	1,10	29	39	45	1000	29*48 d:4	4250747900552

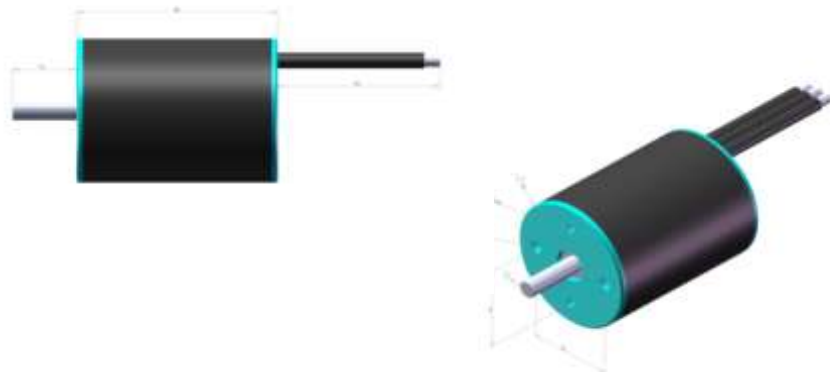
VZ1540										
High End Brushless Motor										
<ul style="list-style-type: none"> ➔ Motore 4 Poli ➔ Lunghezza Cassa: 58 mm ➔ Diametro: 29 mm 		<ul style="list-style-type: none"> ➔ Diametro Asse: 4 mm ➔ Peso: 180 g ➔ Potenza Max: 1200 W 								
								Prezzo		
								Pubblico IVA Incl.		
								85,00 €		
Data										
Specifiche		Art. Nr.	Giri/V [Kv]	Ass.to a vuoto [IO] 10V (A)	Resistenza [Ri]	Max Voltage	Max Amps	Potenza Max (W)	Diam*lung.za(mm) Asse d:mm	EAN
TS-VZ1540	3T	TS-0204015V/3T	6250	7	2,5	13	160	1200	29*58.2 d:4	4250747903393
TS-VZ1540	4T	TS-0204015V/4T	5100	5,5	3,8	16	130	1200	29*58.2 d:4	4250747900569
TS-VZ1540	5T	TS-0204015V/5T	4130	4,00	6,00	20	120	1200	29*58.2 d:4	4250747900576
TS-VZ1540	6T	TS-0204015V/6T	3440	3,20	8,00	25	110	1200	29*58.2 d:4	4250747900583
TS-VZ1540	7T	TS-0204015V/7T	2950	2,80	10,50	28	100	1200	29*58.2 d:4	4250747900590
TS-VZ1540	8T	TS-0204015V/8T	2580	2,20	13,40	32	85	1200	29*58.2 d:4	4250747900606
TS-VZ1540	9T	TS-0204015V/9T	2300	1,90	16,50	36	70	1200	29*58.2 d:4	4250747900613
TS-VZ1540	10T	TS-0204015V/10T	2060	1,70	20,50	40	65	1200	29*58.2 d:4	4250747900620
TS-VZ1540	12T	TS-0204015V/12T	1720	1,50	28,00	48	55	1200	29*58.2 d:4	4250747900637
TS-VZ1540	13T	TS-0204015V/13T	1580	1,40	33,00	52	50	1200	29*58.2 d:4	4250747903409
TS-VZ1540	14T	TS-0204015V/14T	1480	1,30	39,50	56	45	1200	29*58.2 d:4	4250747900644
TS-VZ1540	19T	TS-0204015V/19T	1090	0,90	70,00	76	32	1200	29*58.2 d:4	4250747903942

VZ 2220										
High End Brushless Motor										
<ul style="list-style-type: none"> ➔ Motore 6 Poli ➔ Lunghezza Cassa: 40 mm ➔ Diametro: 38 mm ➔ Diametro Asse: 5 mm ➔ Peso: 175 g ➔ Potenza Max: 1000 W 										
					Prezzo					
					Pubblico IVA Incl.					
					79,00 €					
Data										
Specifiche		Art. Nr.	Giri/V [Kv]	Ass.to a vuoto [I ₀] 10V (A)	Resistenza [R _i]	Max Voltage	Max Amps	Potenza Max (W)	Diam*lung.za(mm) Asse d:mm	EAN
TS-VZ2220	5T	TS-0202022V/5T	6000	6,50	3,00	9	140	1000	38*40 d:5	4250747900651
TS-VZ2220	6T	TS-0202022V/6T	5000	5,00	4,00	12	120	1000	38*40 d:5	4250747900668
TS-VZ2220	7T	TS-0202022V/7T	4500	4,50	5,40	13	100	1000	38*40 d:5	4250747900675
TS-VZ2220	8T	TS-0202022V/8T	3880	3,90	6,80	15	88	1000	38*40 d:5	4250747900682
TS-VZ2220	9T	TS-0202022V/9T	3440	3,50	8,10	17	80	1000	38*40 d:5	4250747900699
TS-VZ2220	10T	TS-0202022V/10T	3050	3,10	9,80	19	72	1000	38*40 d:5	4250747900705
TS-VZ2220	11T	TS-0202022V/11T	2780	2,80	12,00	21	64	1000	38*40 d:5	4250747900712
TS-VZ2220	12T	TS-0202022V/12T	2520	2,50	13,60	23	60	1000	38*40 d:5	4250747900729
TS-VZ2220	13T	TS-0202022V/13T	2300	2,10	16,70	25	52	1000	38*40 d:5	4250747903423
TS-VZ2220	15T	TS-0202022V/15T	2040	1,70	20,70	28	46	1000	38*40 d:5	4250747900736
TS-VZ2220	16T	TS-0202022V/16T	1900	1,40	23,60	30	44	1000	38*40 d:5	4250747903430
TS-VZ2220	17T	TS-0202022V/17T	1800	1,20	27,40	32	41	1000	38*40 d:5	4250747903447

VZ 2230

High End Brushless Motor

- ➔ Motore 6 Poli
- ➔ Lunghezza Cassa: 50 mm
- ➔ Diametro: 38 mm
- ➔ Diametro Asse: 5 mm
- ➔ Peso: 240 g
- ➔ Potenza Max: 1750 W



Prezzo

Publico IVA Incl.

95,00 €

Data

Specifiche	Art. Nr.	Giri/V [Kv]	Ass.to a vuoto [IO] 10V (A)	Resistenza [Ri]	Max Voltage	Max Amps	Potenza Max (W)	Diam*lung.za(mm) Asse d:mm	EAN
TS-VZ2230 3T	TS-0203022V/3T	6750	7,80	2	8,5	200	1750	38*50 d:5	4250747903454
TS-VZ2230 4T	TS-0203022V/4T	5050	6,90	2,6	11	160	1750	38*50 d:5	4250747903461
TS-VZ2230 5T	TS-0203022V/5T	4020	5,50	3,9	14	140	1750	38*50 d:5	4250747900743
TS-VZ2230 6T	TS-0203022V/6T	3350	4,20	5,2	17	120	1750	38*50 d:5	4250747900750
TS-VZ2230 7T	TS-0203022V/7T	2880	3,50	7	20	100	1750	38*50 d:5	4250747900767
TS-VZ2230 8T	TS-0203022V/8T	2520	3,00	9,1	22	88	1750	38*50 d:5	4250747900774
TS-VZ2230 9T	TS-0203022V/9T	2240	2,50	11,9	25	80	1750	38*50 d:5	4250747900781
TS-VZ2230 10T	TS-0203022V/10T	2020	2,10	14,3	28	72	1750	38*50 d:5	4250747900798
TS-VZ2230 11T	TS-0203022V/11T	1840	1,70	17,3	30	64	1750	38*50 d:5	4250747900903
TS-VZ2230 12T	TS-0203022V/12T	1690	1,30	19,9	33	60	1750	38*50 d:5	4250747900804
TS-VZ2230 13T	TS-0203022V/13T	1580	1,20	24,1	36	52	1750	38*50 d:5	4250747903478
TS-VZ2230 15T	TS-0203022V/15T	1350	1,10	31,5	42	46	1750	38*50 d:5	4250747900811

VZ 2240

High End Brushless Motor

- ➔ Motore 6 Poli
- ➔ Lunghezza Cassa: 60 mm
- ➔ Diametro: 38 mm
- ➔ Diametro Asse: 5 mm
- ➔ Peso: 300 g
- ➔ Potenza Max: 2200 W



Prezzo

Publico IVA Incl.

109,00 €

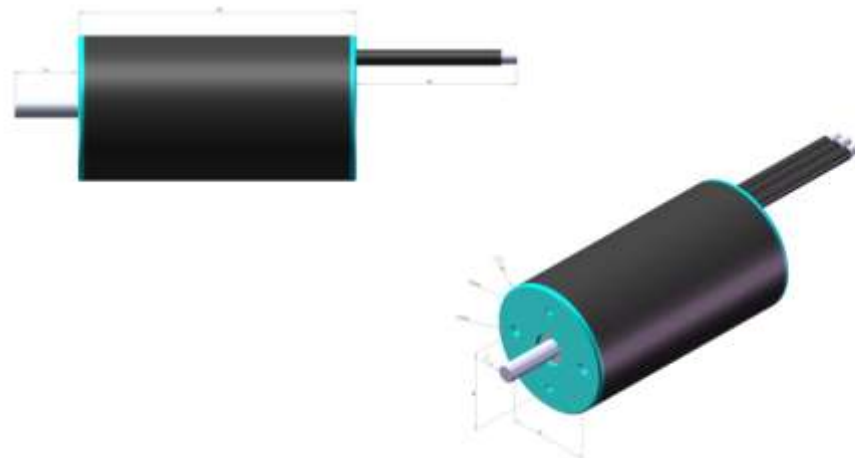
Data

Specifiche		Art. Nr.	Giri/V [Kv]	Ass.to a vuoto [I] 10V (A)	Resistenza [Ri]	Max Voltage	Max Amps	Potenza Max (W)	Diam*lung.za(mm) Asse d:mm	EAN
TS-VZ2240	3T	TS-0204022V/3T	5100	9	1,8	11	220	2200	38*60 d:5	4250747900828
TS-VZ2240	4T	TS-0204022V/4T	3830	6,50	3,10	14	175	2200	38*60 d:5	4250747900835
TS-VZ2240	5T	TS-0204022V/5T	3180	5,00	4,20	17	140	2200	38*60 d:5	4250747900842
TS-VZ2240	6T	TS-0204022V/6T	2580	4,00	5,80	21	120	2200	38*60 d:5	4250747900859
TS-VZ2240	7T	TS-0204022V/7T	2260	3,30	7,80	24	100	2200	38*60 d:5	4250747900866
TS-VZ2240	8T	TS-0204022V/8T	1930	2,60	9,90	28	88	2200	38*60 d:5	4250747900873
TS-VZ2240	9T	TS-0204022V/9T	1770	2,00	12,00	31	80	2200	38*60 d:5	4250747900880
TS-VZ2240	10T	TS-0204022V/10T	1600	1,70	14,50	34	72	2200	38*60 d:5	4250747900897
TS-VZ2240	15T	TS-0204022V/15T	1080	1,40	31,80	50	46	2200	38*60 d:5	4250747900927
TS-VZ2240	18T	TS-0204022V/18T	890	1,20	44,00	62	38	2200	38*60 d:5	4250747900934
TS-VZ2240	22T	TS-0204022V/22T	730	1,00	67,00	75	30	2200	38*60 d:5	4250747904048

VZ 2250

High End Brushless Motor

- ➔ Motore 6 Poli
- ➔ Lunghezza Cassa: 69,5 mm
- ➔ Diametro: 38 mm
- ➔ Diametro Asse: 5 mm
- ➔ Peso: 364 g
- ➔ Potenza Max: 2500 W



Prezzo

Publico IVA Incl.

119,00 €

Data

Specifiche		Art. Nr.	Giri/V [Kv]	Ass.to a vuoto [IO] 10V (A)	Resistenza [Ri]	Max Voltage	Max Amps	Potenza Max (W)	Diam*lung.za(mm) Asse d:mm	EAN
TS-VZ2250	3T	TS-0205022V/3T	3900	7,20	2,80	14	220	2500	38*69.5 d:5	4250747903492
TS-VZ2250	4T	TS-0205022V/4T	2950	5,80	3,60	18	175	2500	38*69.5 d:5	4250747900941
TS-VZ2250	5T	TS-0205022V/5T	2380	4,00	4,80	23	140	2500	38*69.5 d:5	4250747900958
TS-VZ2250	6T	TS-0205022V/6T	2000	3,20	6,50	28	120	2500	38*69.5 d:5	4250747900965
TS-VZ2250	7T	TS-0205022V/7T	1730	2,70	8,80	31	100	2500	38*69.5 d:5	4250747900972
TS-VZ2250	8T	TS-0205022V/8T	1500	2,20	11,50	36	88	2500	38*69.5 d:5	4250747900989
TS-VZ2250	9T	TS-0205022V/9T	1340	1,80	14,00	40	80	2500	38*69.5 d:5	4250747900996
TS-VZ2250	10T	TS-0205022V/10T	1210	1,60	17,00	45	72	2500	38*69.5 d:5	4250747901009
TS-VZ2250	12T	TS-0205022V/12T	1000	1,40	21,00	53	72	2500	38*69.5 d:5	4250747903812
TS-VZ2250	15T	TS-0205022V/15T	810	1,30	27,00	65	72	2500	38*69.5 d:5	4250747903508